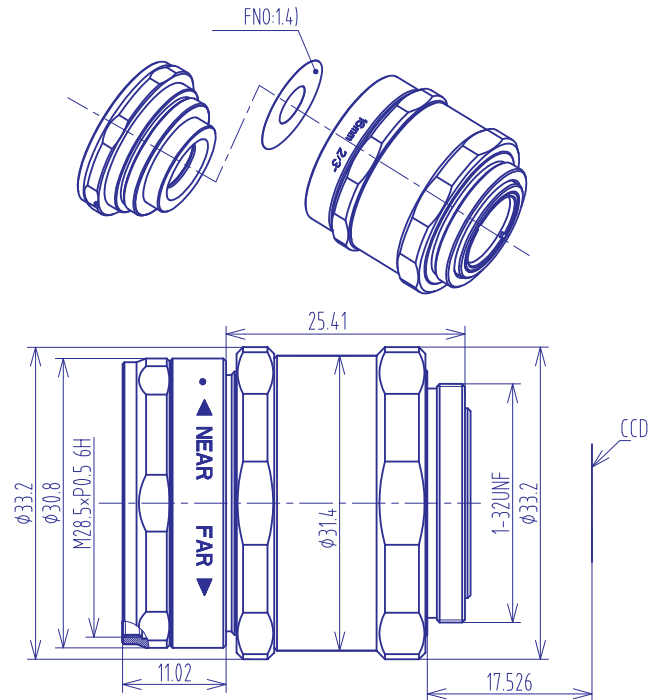


5 MP 2/3"

GM5HR31614MC-1.4



Part No.	GM5HR31614MC-1.4
Focal Length	16mm
Iris Range	f/1.4 / 2.0 / 2.8 / 4 / 5.6 / 8 / 16
Lens Format	2/3"
MOD	100 mm
Mount	C
Filter Thread	M28.5 x P0.5
Angle of View	30.3° x 22.3° x 16.8°
Dimension (DxL)	Ø33.2 x 36.43