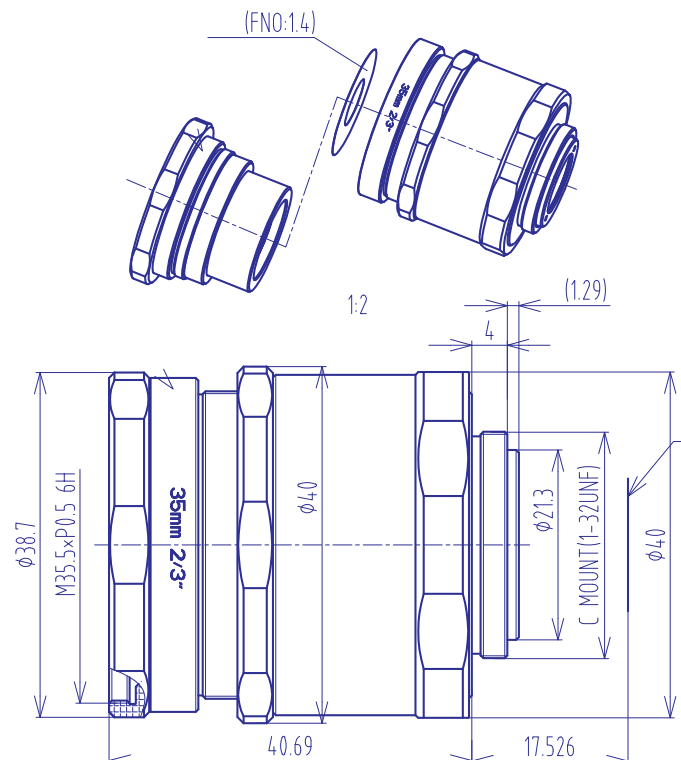


5 MP 2/3"

## GM5HR33514MC-1.4



Part No.	GM5HR33514MC-1.4
Focal Length	35mm
Iris Range	f/1.4 / 2.0 / 2.8 / 4 / 5.6 / 8 / 16
Lens Format	2/3"
MOD	100 mm
Mount	C
Filter Thread	M35.5 x P0.5
Angle of View	13.9° x 10.4° x 17.3°
Dimension (DxL)	Ø38.7 x 44.69