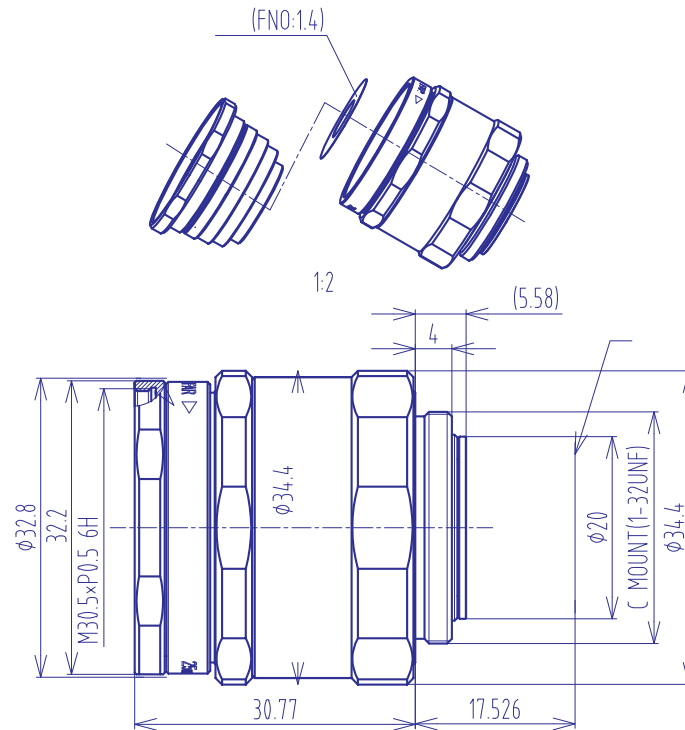


5 MP 2/3"

## GM5HR32514MC-1.4



Part No.	GM5HR32514MC-1.4
Focal Length	25mm
Iris Range	f/1.4 / 2.0 / 2.8 / 4 / 5.6 / 8 / 16
Lens Format	2/3"
MOD	100 mm
Mount	C
Filter Thread	M30.5 x P0.5
Angle of View	20° x 15° x 24.6°
Dimension (DxL)	Ø32.8 x 36.35