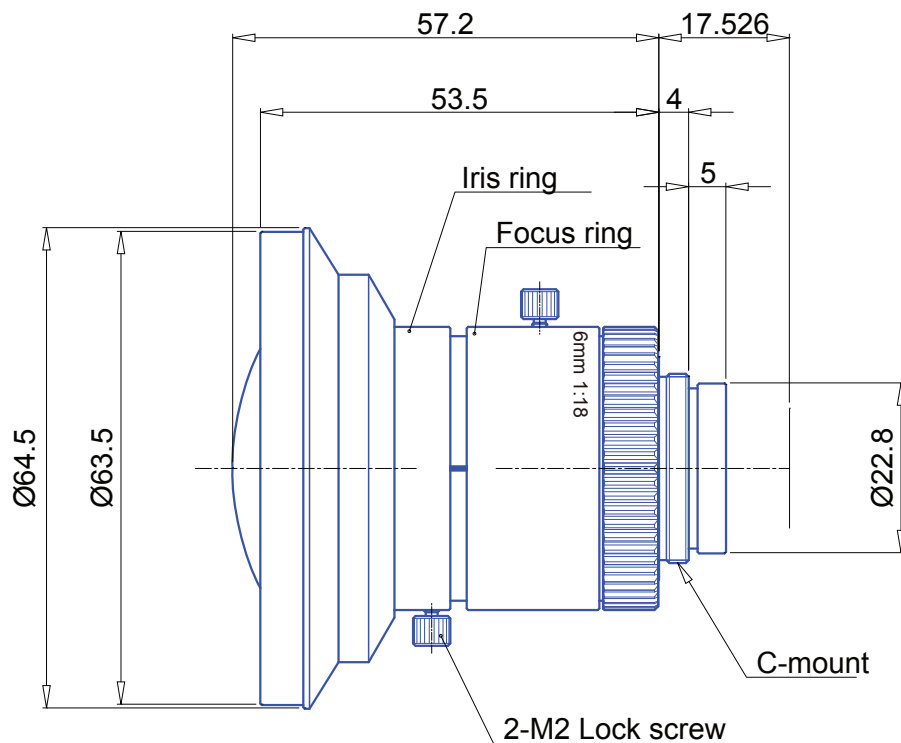


5 MP 1"

GMD5HR46018MCN



Part No.	GMD5HR46018MCN
Focal Length	6mm
Iris Range	f/1.8-16
Lens Format	1"
MOD	100 mm
Mount	C
Filter Thread	N/A
Angle of View	87.3° x 87.3° x 107°
Dimension (DxL)	Ø65 x 58