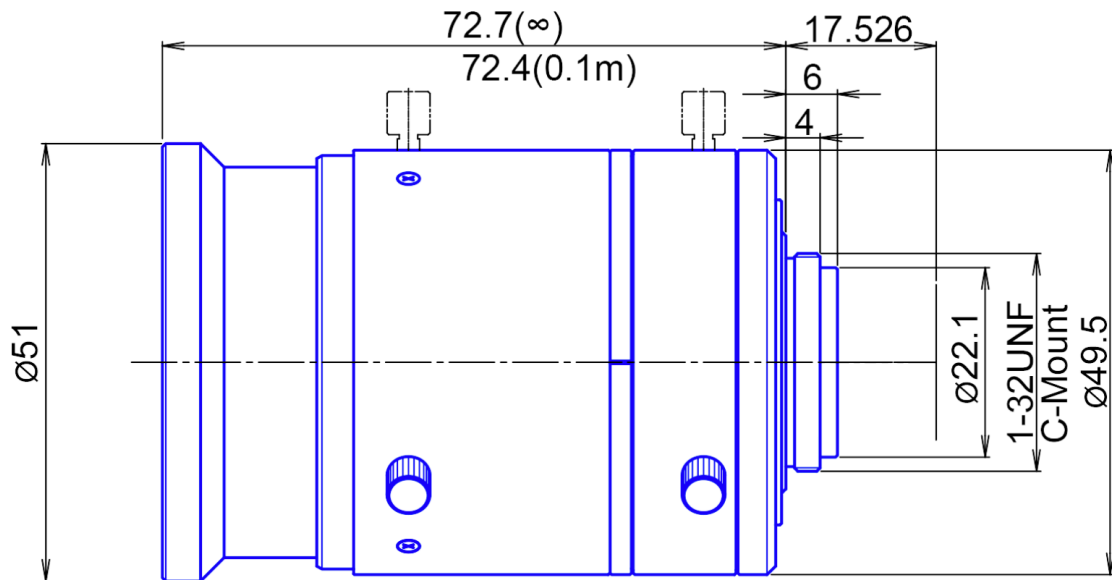


12 MP 1.1"

GM12HR51218MCN



Part No.	GM12HR51218MCN
Focal Length	12mm
Iris Range	f/1.8
Lens Format	1.1"
MOD	100 mm
Mount	C
Filter Thread	S51
Angle of View	59.3° x 46.3°
Dimension (DxL)	Ø51 x 73