

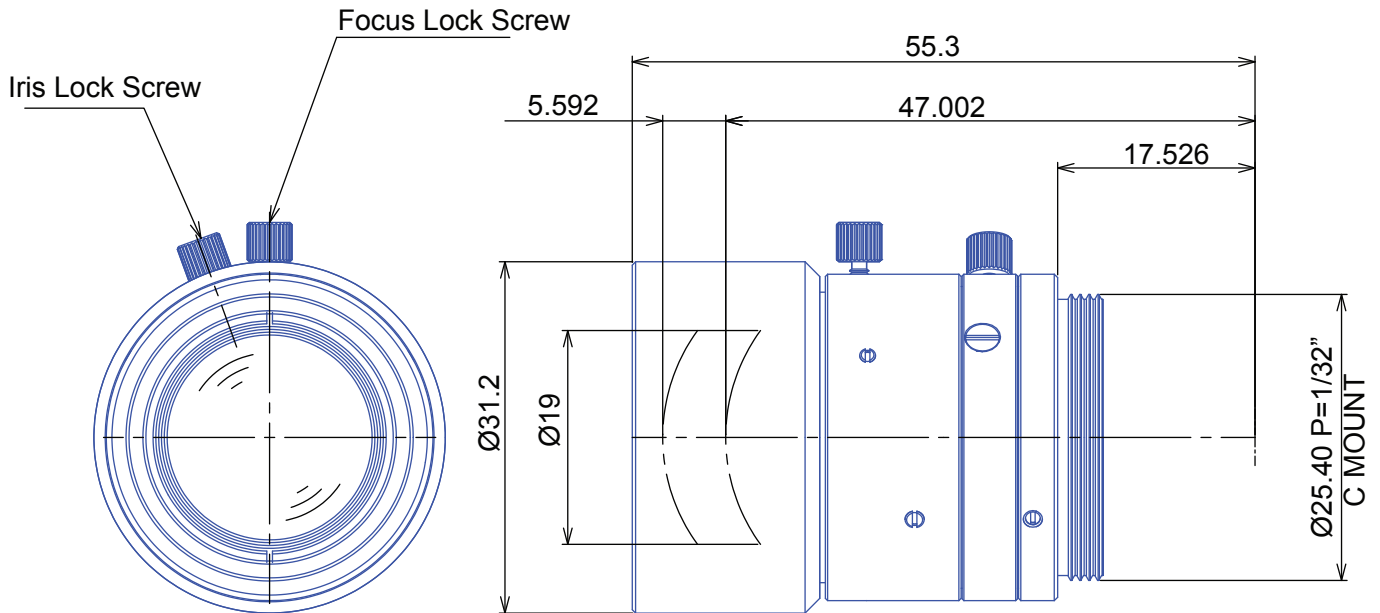
3 MP 2/3"

GM6HR35028MCN-1

www.GoyoLenses.com

Info@GoyoLenses.com

1-630-566-0580



Part No.	GM6HR35028MCN-1
Focal Length	50mm
Iris Range	f/2.8 - Close
Lens Format	2/3"
MOD	500mm
Mount	C
Filter Thread	M25.5 x P0.5
Angle of View	10° x 7.5°
Dimension (DxL)	Ø29 x 30