

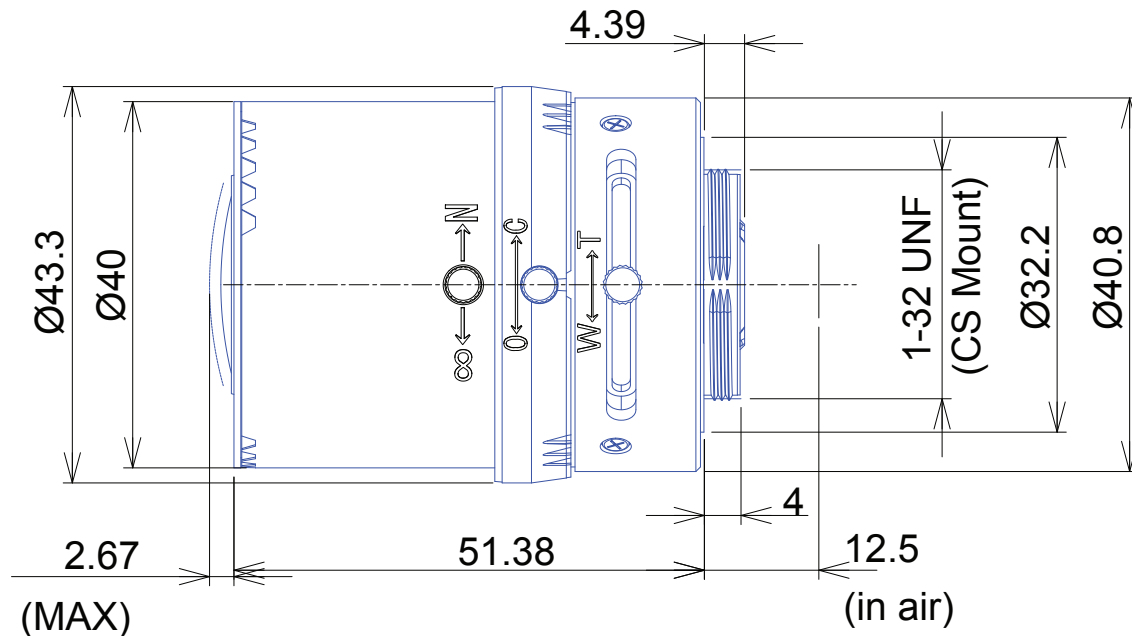
CCTV 1/2.7"

GM3MPDN272880S

www.GoyoLenses.com

Info@GoyoLenses.com

1-630-566-0580



Part No.	GM5HR128024MCN
Focal Length	5-50mm
Iris Range	f/1.2 - Close
Lens Format	1/2.7"
MOD	300mm
Mount	CS
Filter Thread	M27 x P0.5
Angle of View	53° x 40° - 5.6° x 4.2°
Weight	65g
Dimension (DxL)	$\varnothing 43.2 \times 55$