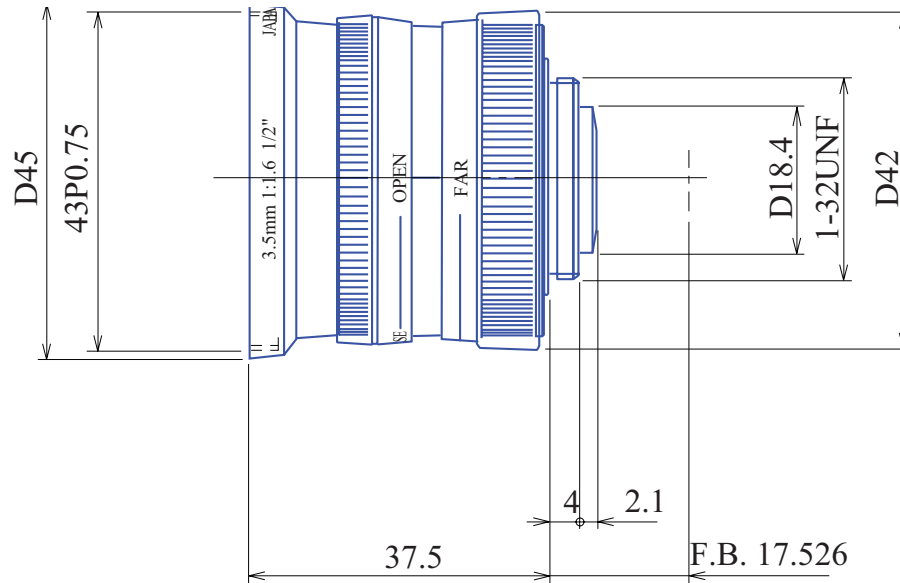


## CCTV 1/2" Fixed-Focal GMT23516C



| Part No.                 | GMT23516C     |
|--------------------------|---------------|
| Focal Length             | 3.5mm         |
| Iris Range               | f/1.6         |
| Lens Format              | 1/2"          |
| MOD                      | 100mm         |
| Mount                    | C             |
| Filter Thread            | M43xP0.75     |
| Angle of View (HxV) 1/2" | 84.9° x 68.9° |
| Weight                   | 65g           |
| Dimension (DxL)          | Ø45 x 38      |