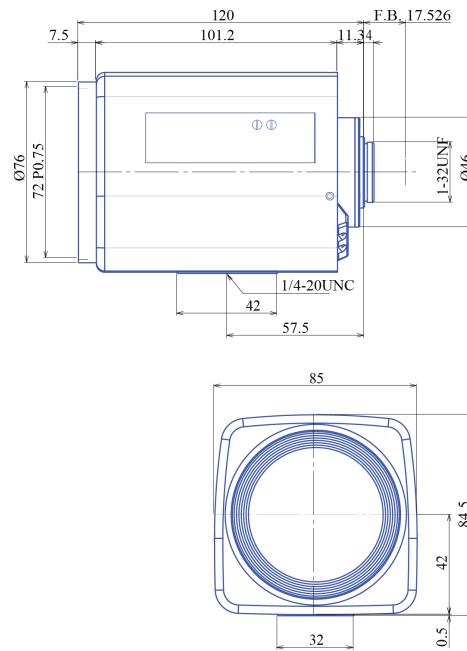


3 Motorized Zoom 2/3" Varifocal GAZMP31166M



| Part No. | GAZMP31166M |
|--------------------------|-----------------------------|
| Focal Length | 11-66mm |
| Iris Range | f/1.8-Close |
| Lens Format | 2/3" |
| MOD | 1400mm |
| Mount | C |
| Filter Thread | M72 x P0.75 |
| Angle of View (HxV) 2/3" | 43.3° x 33.0° - 7.7° x 5.8° |
| Weight | 700g |
| Dimension (WxHxL) | Ø85 x 84.5 x 120 |