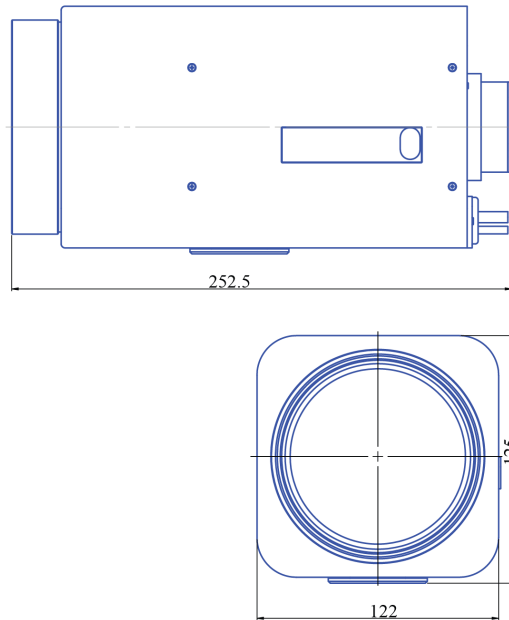


3 Motorized Zoom 1/2" Varifocal **GAZ10330M**



Part No.	GAZ10330M
Focal Length	10-330mm
Iris Range	f/1.5-Close
Lens Format	1/2"
MOD	2900mm
Mount	C
Filter Thread	M105 x P1.0
Angle of View (HxV) 1/2"	1.13° - 34.99°
Weight	2900g
Dimension (WxHxL)	Ø122 x 125 x 261