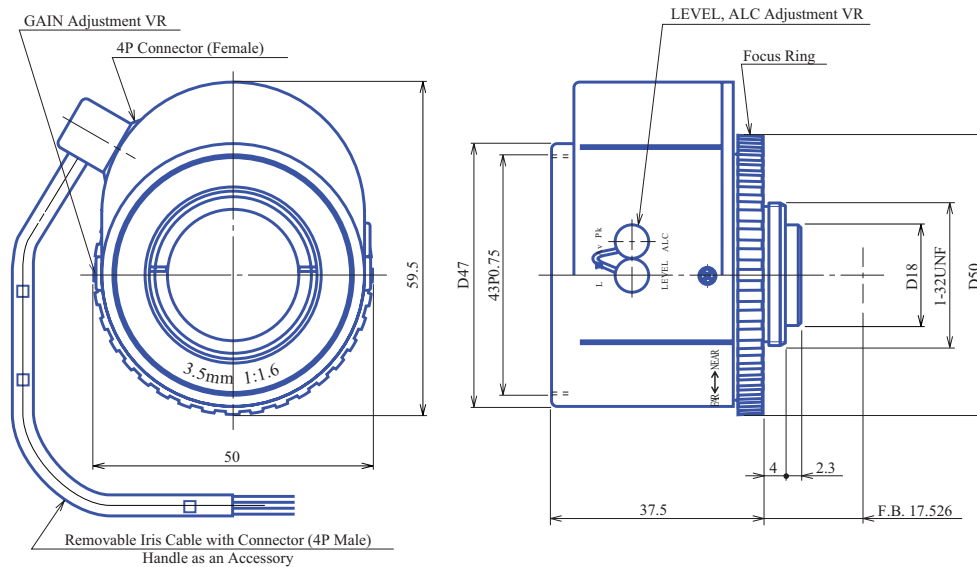


## Auto Iris 1/2" Fixed-Focal GAT23516AC



| Part No.            | GAT23516AC      |
|---------------------|-----------------|
| Focal Length        | 3.5mm           |
| Iris Range          | f/1.6-360       |
| Lens Format         | 1/2"            |
| MOD                 | 100mm           |
| Mount               | C               |
| Filter Thread       | M43 x P0.75     |
| Angle of View (HxV) | 84.9° x 68.9°   |
| Weight              | 90g             |
| Dimension (WxHxL)   | Ø50 x 60 x 37.5 |