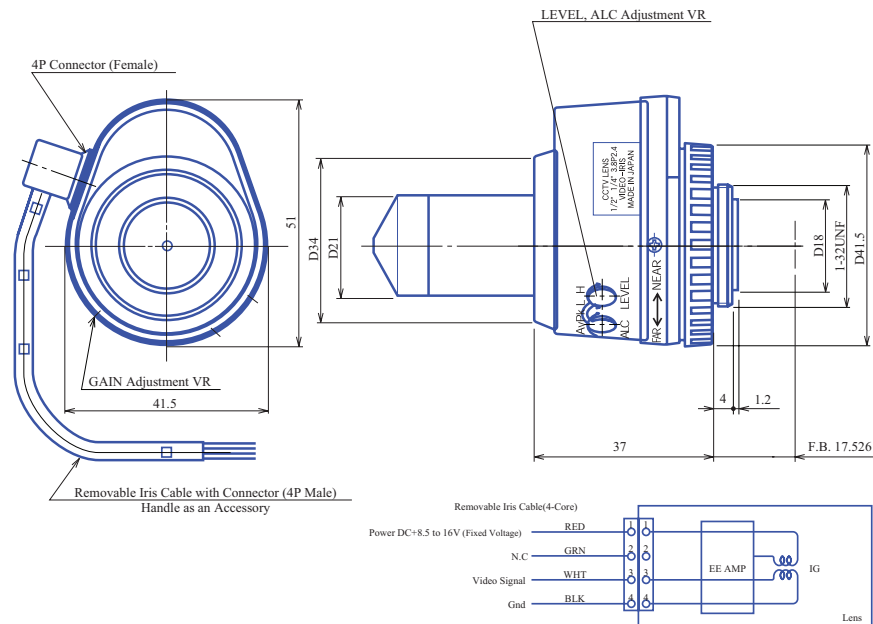


Pinhole 1/2"

GAPM23824AC



Part No.	GAPM23824AC
Focal Length	3.8mm
Iris Range	f/2.4-360
Lens Format	1/2"
MOD	1000mm
Mount	C
Filter Thread	S21
Angle of View (HxV) 1/2"	80.2° x 64.6°
Weight	80g
Dimension (DxL)	Ø21 x 51 x 41.5