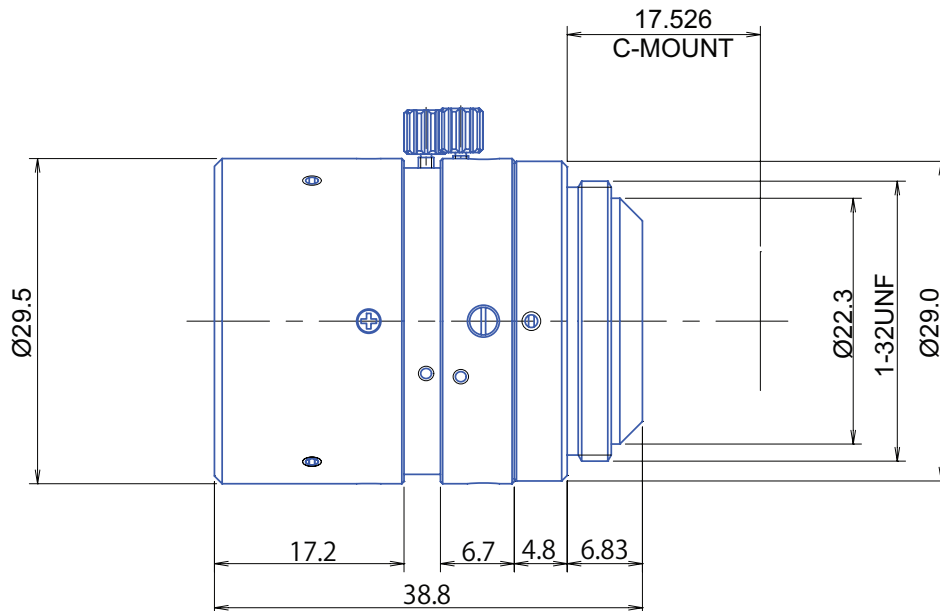


5 MP 2/3" Fixed-Focal

## GMR5HR32514MCN



Part No.	GMR5HR32514MCN
Focal Length	25mm
Iris Range	f/1.4-16
Lens Format	2/3"
Resolution	160 lp/mm
MOD	250mm
Mount	C
Filter Thread	M27 x P0.5
Angle of View (HxVxD) 2/3"	19°98' x 15°04' x 24°86'
Weight	56g
Dimension (DxL)	Ø29.5 x 38.8