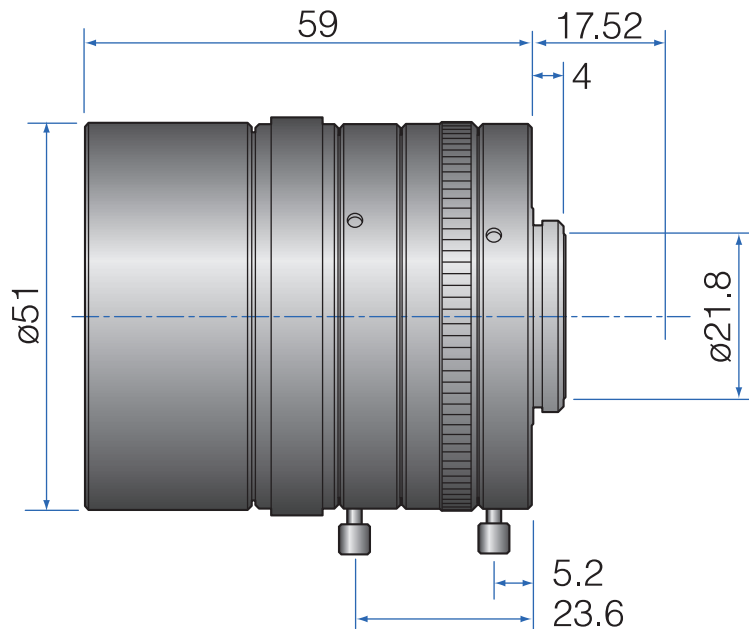


5 MP 2/3" Fixed-Focal

**GMA5HR31218MCN**

Part No.	GMA5HR31218MCN
Focal Length	12mm
Iris Range	f/1.8-22
Lens Format	2/3"
Resolution	160 lp/mm
MOD	150mm
Mount	C
Filter Thread	M49xP0.75
Angle of View (HxV) 2/3"	40°3' x 30°8'
Weight	200g
Dimension (DxL)	$\varnothing 51$ x 59.0