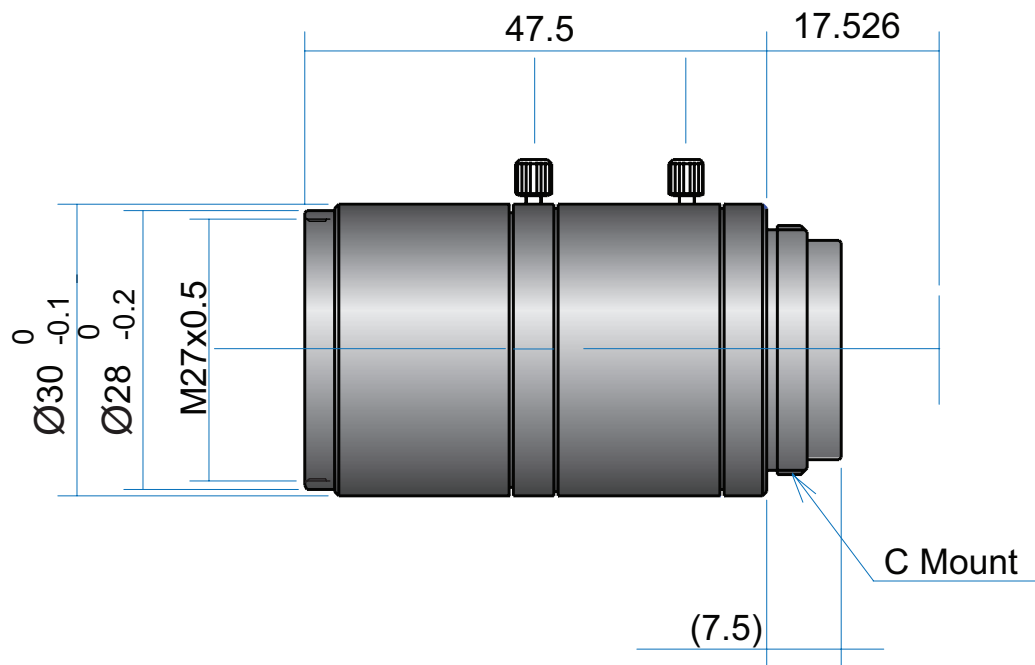


3 MP 2/3" Fixed-Focal

GMTHR38014MCN



| Part No. | GMTHR38014MCN |
|----------------------------|--------------------------|
| Focal Length | 8.25mm |
| Iris Range | f/1.44-16(Click-Stop) |
| Lens Format | 2/3" |
| Resolution | 140 lp/mm |
| MOD | 100mm |
| Mount | C |
| Filter Thread | M27xP0.5 |
| Angle of View (HxVxD) 2/3" | 57.32° x 44.29° x 68.66° |
| Weight | 85g |
| Dimension (DxL) | $\varnothing 30$ x 47.5 |