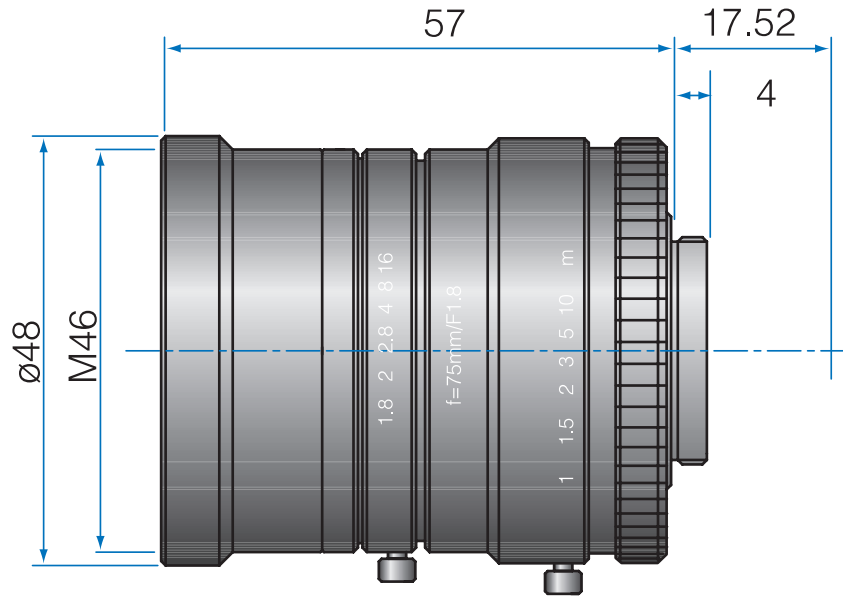


1.5 MP 1" Fixed-Focal

GMHR47518MCN



Part No.	GMHR47518MCN
Focal Length	75mm
Iris Range	f/1.8-16
Lens Format	1"
Resolution	120 lp/mm
MOD	1000mm
Mount	C
Filter Thread	M46xP0.75
Angle of View (HxVxD) 1"	9.7° x 7.3° x 12.0°
Weight	180g
Dimension (DxL)	Ø48 x 57