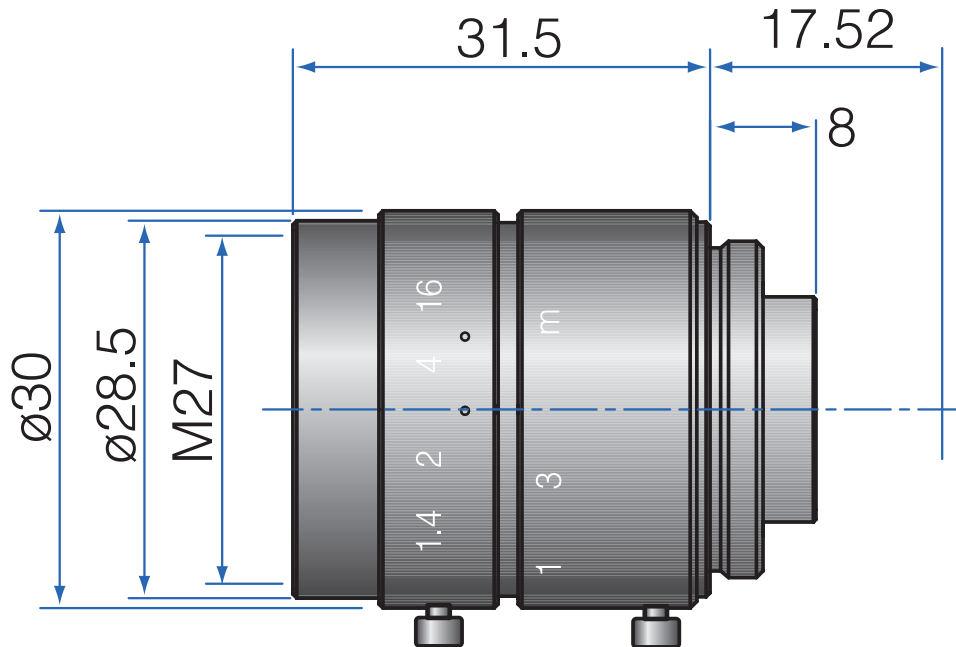


High Resolution 2/3" Fixed-Focal GMN31214MCN-1



Part No.	GMN31214MCN-1
Focal Length	12mm
Iris Range	f/1.4-16
Lens Format	2/3"
Resolution	100 lp/mm
MOD	100mm
Mount	C
Filter Thread	M27 x P0.5
Angle of View (HxVxD) 1/2"	30.7° x 23.0° x 38.5°
Angle of View (HxVxD) 2/3"	42.5° x 31.7° x 53.7°
Weight	55g
Dimension (DxL)	$\varnothing 30$ x 31.5