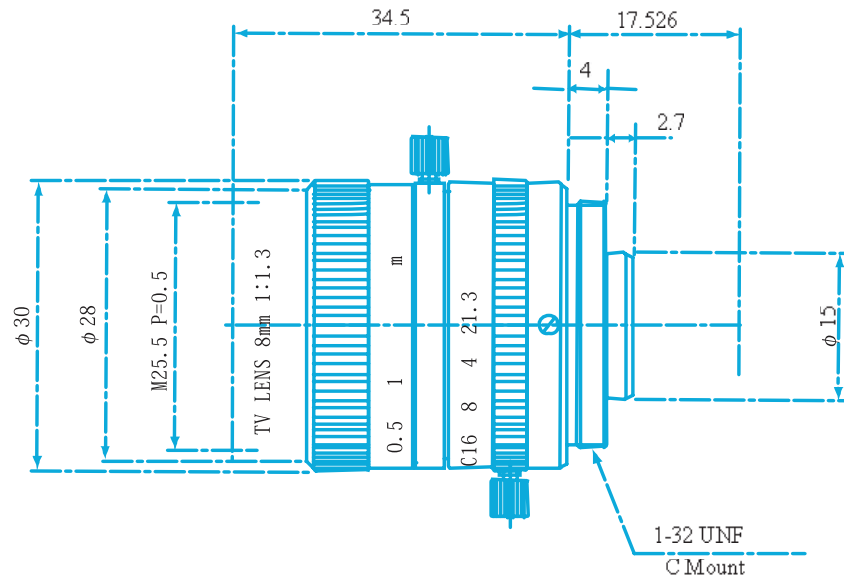


## High Resolution 2/3" Fixed-Focal GM38013MCN-1



Part No.	GM38013MCN-1
Focal Length	8mm
Iris Range	f/1.3-Close
Lens Format	2/3"
Resolution	100 lp/mm
MOD	200mm
Mount	C
Filter Thread	M25.5 x P0.5
Angle of View (HxVxD) 1/2"	42.0° x 32.7° x 50.3°
Angle of View (HxVxD) 2/3"	57.8° x 45.0° x 69.2°
Weight	60g
Dimension (DxL)	Ø30.0 x 34.5