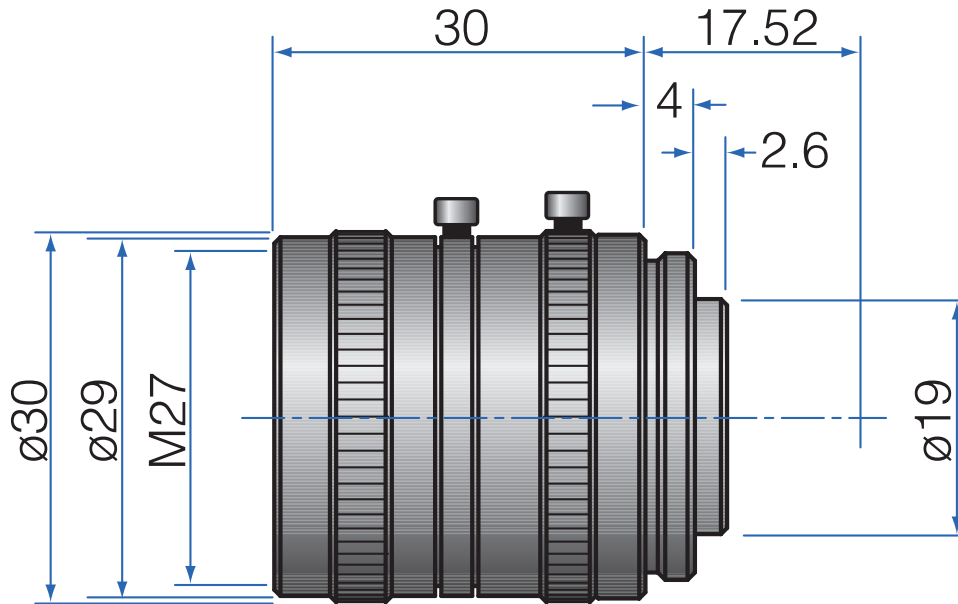


## High Resolution 1/2" Fixed-Focal GM26014MCN



Part No.	GM26014MCN
Focal Length	6mm
Iris Range	f/1.4-Close
Lens Format	1/2"
Resolution	100 lp/mm
MOD	200mm
Mount	C
Filter Thread	M27xP0.5
Angle of View (HxVxD) 1/2"	54.35° x 42.19° x 65.39°
Weight	57g
Dimension (DxL)	Ø30 x 30.0