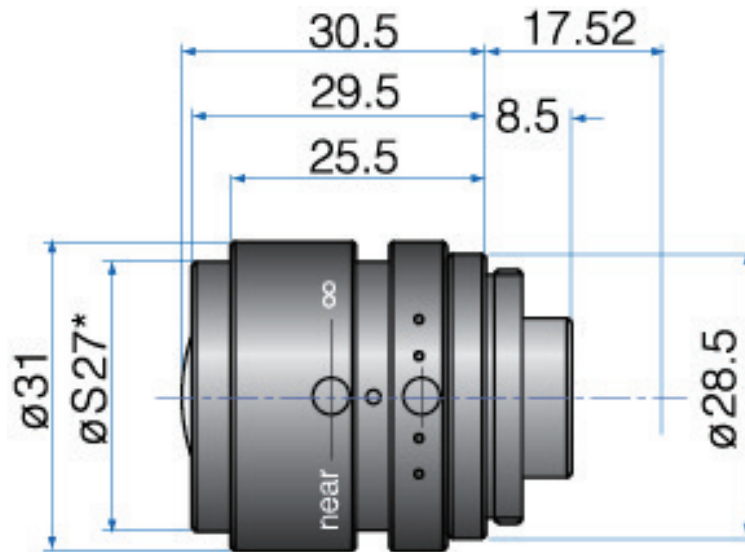


## High Resolution 1/2" Fixed-Focal GM23514MCN



\* S = Slip-on Mount

Part No.	GM23514MCN
Focal Length	3.5mm
Iris Range	f/1.4-Close
Lens Format	1/2"
Resolution	100 lp/mm
MOD	200mm
Mount	C
Filter Thread	S31 or M25.4
Angle of View (HxV) 1/2"	103.6° x 76.00° x 132.1°
Weight	73g
Dimension (DxL)	ø31 x 30.5