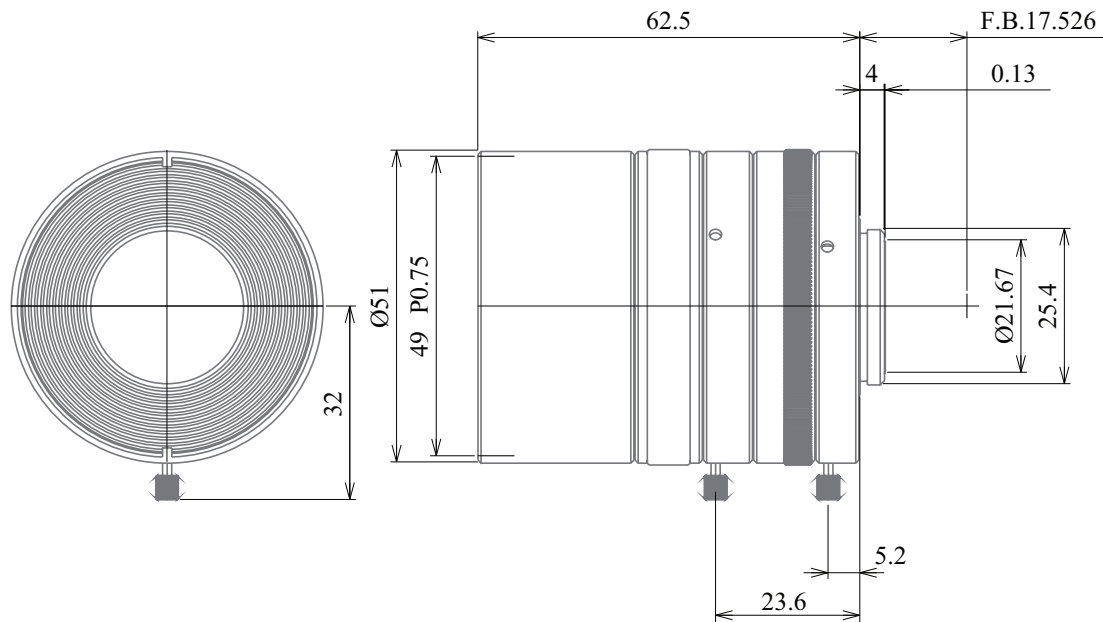


SWIR (Short Wave IR) 2/3" Fixed-Focal

GM5HR31614MCN-SWIR



Part No.	GM5HR31614MCN-SWIR
Focal Length	16mm
Iris Range	f/1.4-22
Lens Format	2/3"
MOD	200mm
Mount	C
Filter Thread	M49 x P0.75
Angle of View (HxV) 2/3"	30.7° x 23.3°
Weight	200g
Dimension (DxL)	Ø51 x 62.5