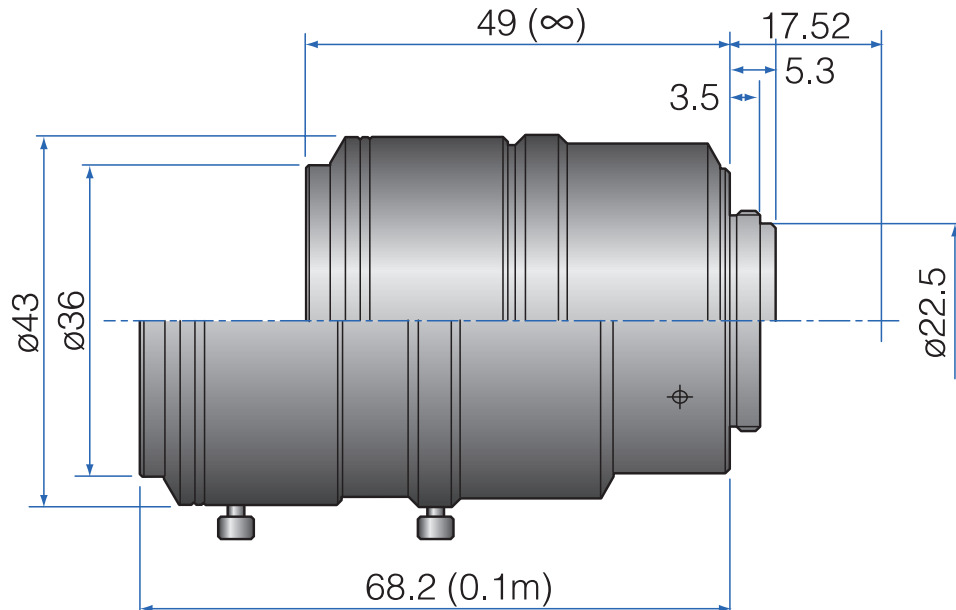


10 MP 2/3" Fixed-Focal

GM10HR33520MCN



Part No.	GM10HR33520MCN
Focal Length	35mm
Iris Range	f/2.0-16
Lens Format	2/3"
Resolution	200 lp/mm
MOD	100mm
Mount	C
Filter Thread	M34xP0.5
Angle of View (HxVxD) 2/3"	14°3' x 10°8' x 17°8'
Weight	160g
Dimension (DxL)	Ø43 x 68.2