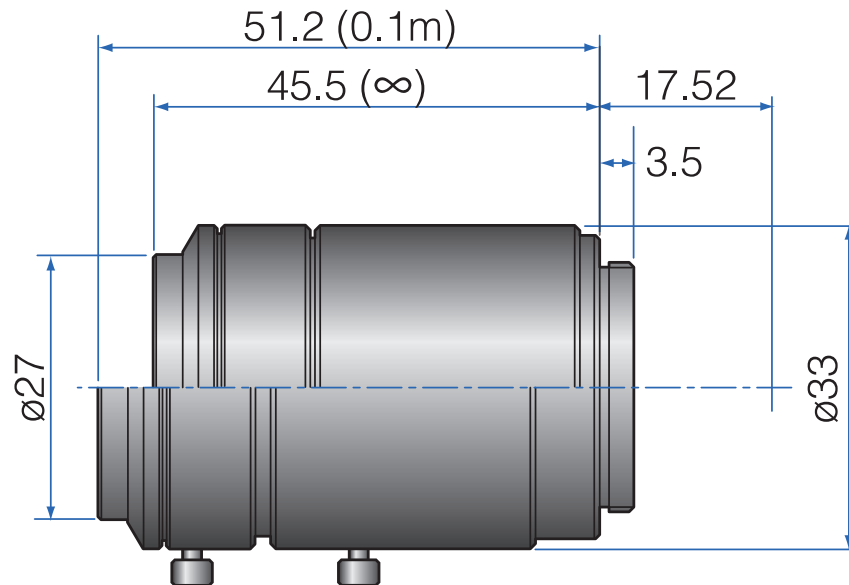


10 MP 2/3" Fixed-Focal

GM10HR32518MCN



Part No.	GM10HR32518MCN
Focal Length	25mm
Iris Range	f/1.8-16
Lens Format	2/3"
Resolution	200 lp/mm
MOD	100mm
Mount	C
Filter Thread	25.5xP0.5
Angle of View (HxVxD) 2/3"	20°0' x 15°1' x 24°9'
Weight	95g
Dimension (DxL)	Ø33 x 51.2