

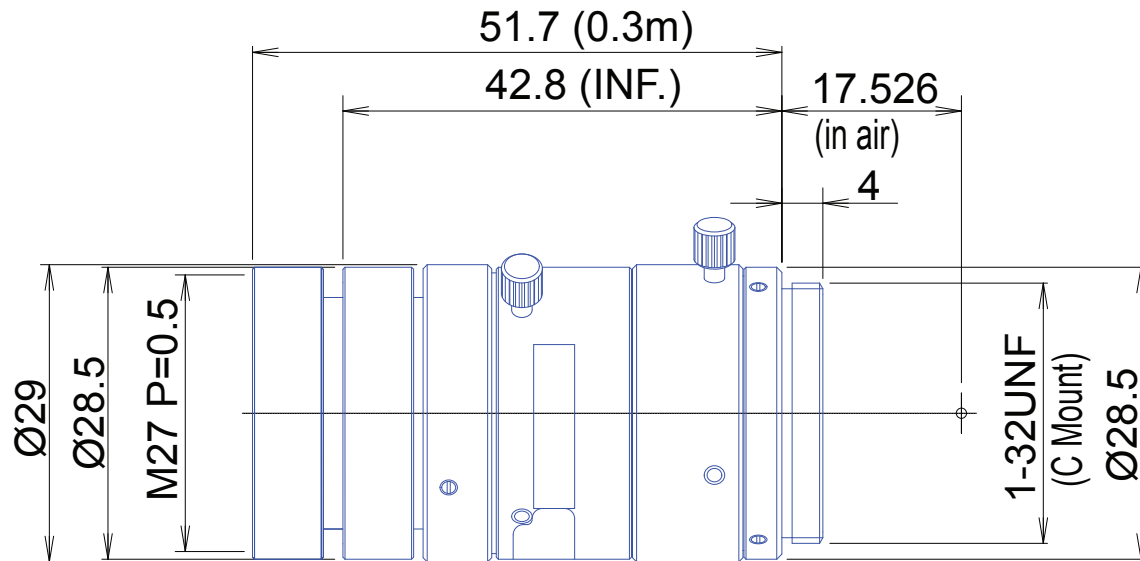
5 MP 1/1.2"

GM5HR125028MCN

www.GoyoLenses.com

Info@GoyoLenses.com

1-630-566-0580



Part No.	GM5HR125028MCN
Focal Length	50mm
Iris Range	f/2.8 - 16
Lens Format	1/1.2"
MOD	300mm
Mount	C
Filter Thread	M27 x P0.5
Angle of View	12.2° x 9.2°
Weight	75g
Dimension (DxL)	Ø29 x 52