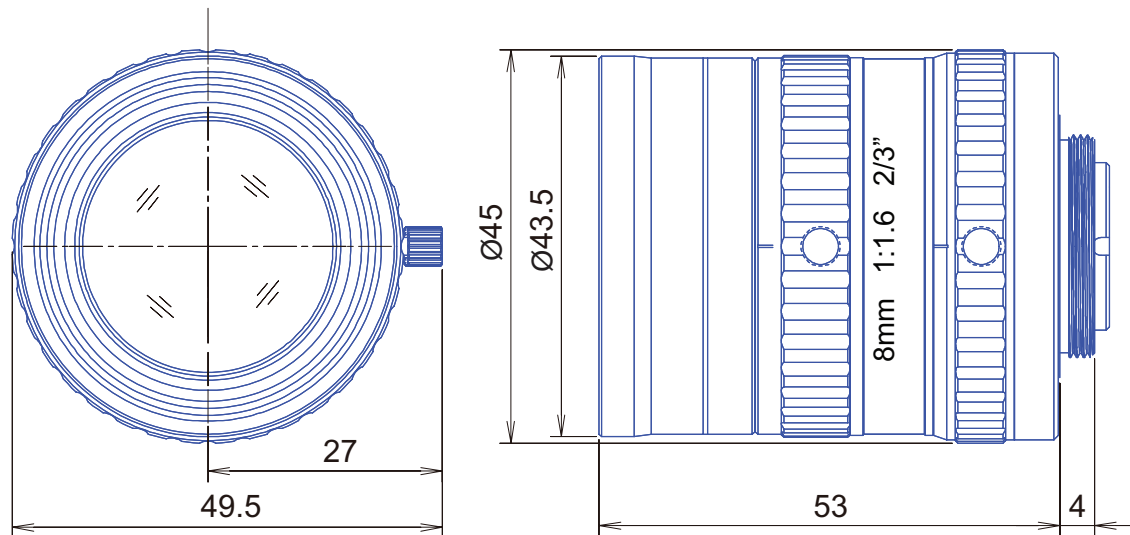


12 MP 2/3" Fixed-Focal

GM12HR38016MCN



Part No.	GM12HR38016MCN
Focal Length	8mm
Iris Range	f/1.6-22
Lens Format	2/3"
Resolution	260 lp/mm
MOD	150mm
Mount	C
Filter Thread	M40.5 x P0.5
Angle of View (HxV) 2/3"	55°8' x 43°3'
Weight	170g
Dimension (DxL)	Ø45 x 53