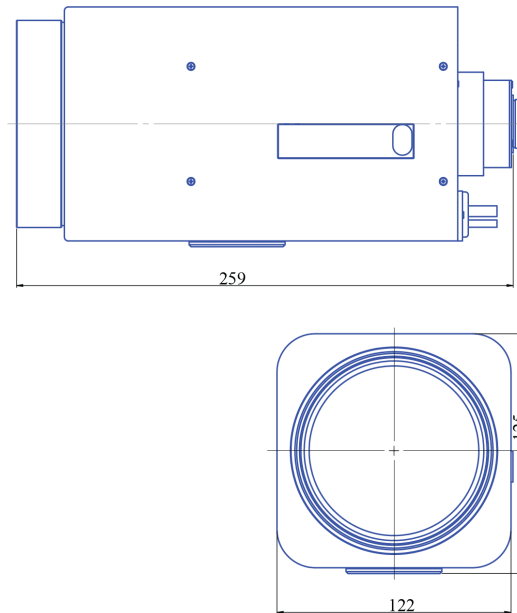


3 Motorized Zoom 1/2" Varifocal **GAZ15500M**



Part No.	GAZ15500M
Focal Length	15-500mm
Iris Range	f/1.4-Close
Lens Format	1/2"
MOD	2900mm
Mount	C
Filter Thread	M105 x P1.0
Angle of View (HxV) 1/2"	0.747° - 23.185°
Weight	2900g
Dimension (DxL)	Ø122x 125 x 267