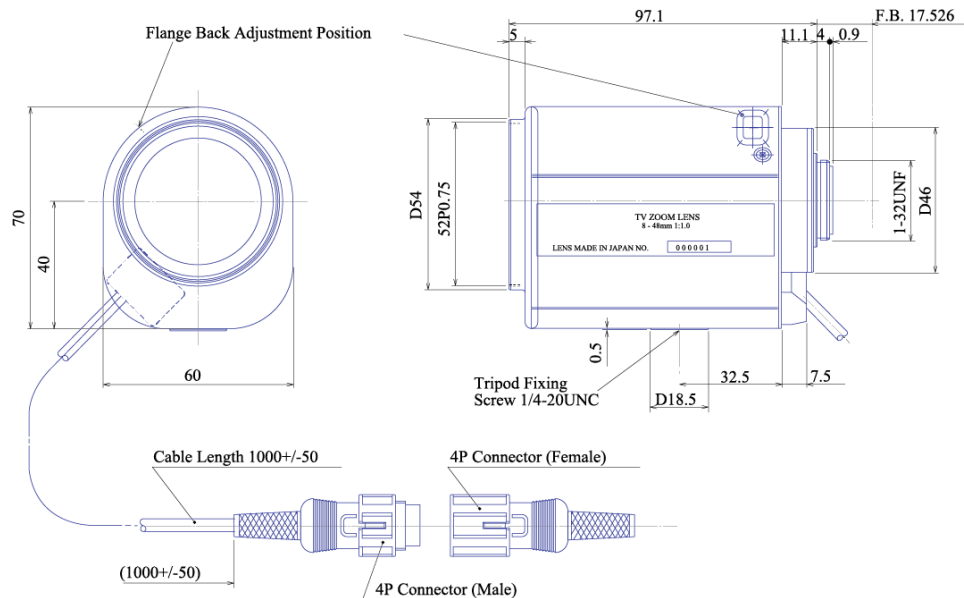


## 3 Motorized Zoom 1/2" Varifocal **GAZ8048010M**



Part No.	GAZ8048010M
Focal Length	8-48mm
Iris Range	f/1.0-Close
Lens Format	1/2"
MOD	1000mm
Mount	C
Filter Thread	M52 x P0.75
Angle of View (HxV) 1/2"	43.6° x 33.4° - 7.7° x 5.7°
Weight	500g
Dimension (WxHxL)	Ø70 x 60 x 98