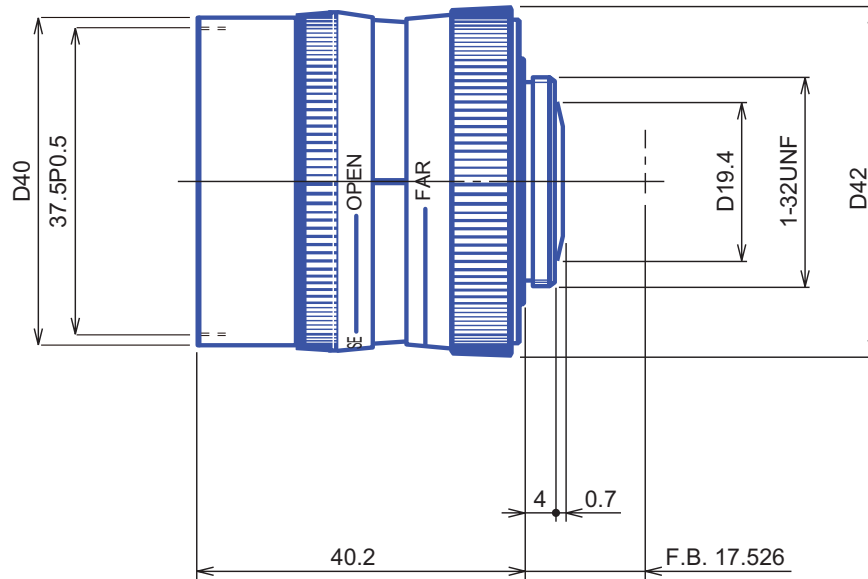


## CCTV 2/3" Fixed-Focal GMT31614C



Part No.	GMT31614C
Focal Length	16mm
Iris Range	f/1.4-Close
Lens Format	2/3"
MOD	400mm
Mount	C
Filter Thread	M37.5xP0.5
Angle of View (HxV) 1"	20°7' x 51°6'
Weight	60g
Dimension (DxL)	Ø42x40.2