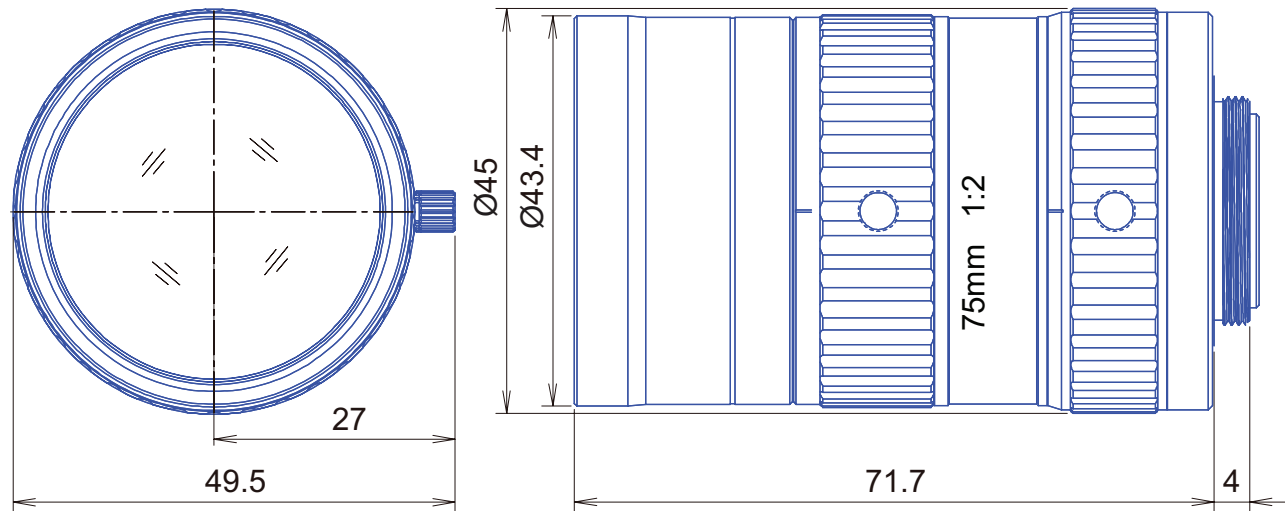


12 MP 2/3" Fixed-Focal

GM12HR37520MCN



Part No.	GM12HR37520MCN
Focal Length	75mm
Iris Range	f/2.0-22
Lens Format	2/3"
Resolution	260 lp/mm
MOD	900mm
Mount	C
Filter Thread	M40.5xP0.5
Angle of View (HxVxD) 1"	6°7' x 5° x 8°4'
Weight	223g
Dimension (DxL)	Ø45 x 71.7