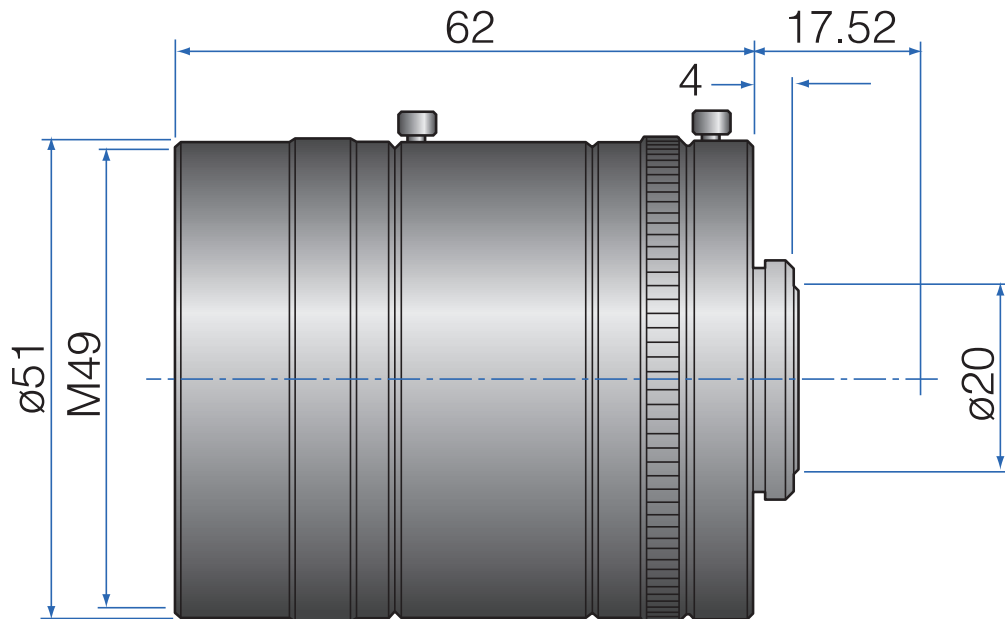


5 MP 2/3" Fixed-Focal

**GM5HR33514MCN**

Part No.	GM5HR33514MCN
Focal Length	35mm
Iris Range	f/1.4-22
Lens Format	2/3"
Resolution	160 lp/mm
MOD	250mm
Mount	C
Filter Thread	M49 x P0.75
Angle of View (HxV) 2/3"	10.4° x 7.8°
Weight	230g
Dimension (DxL)	$\varnothing 51$ x 62.0