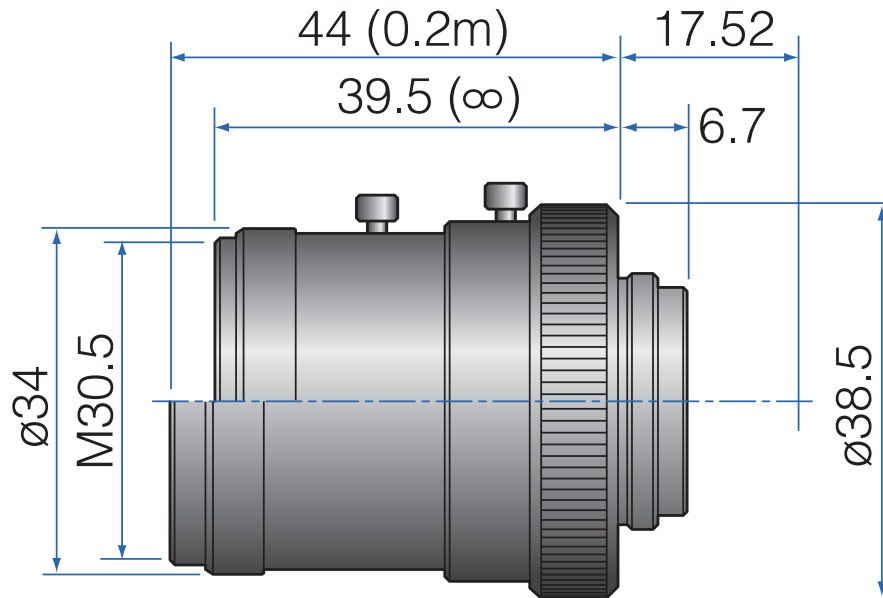


5 MP 2/3" Fixed-Focal

GMB5HR32514MCN



Part No.	GMB5HR32514MCN
Focal Length	25mm
Iris Range	f/1.4-16
Lens Format	2/3"
Resolution	160 lp/mm
MOD	200mm
Mount	C
Filter Thread	M30.5 x P0.5
Angle of View (HxVxD) 2/3"	19°6' x 14°8' x 24°3'
Weight	90g
Dimension (DxL)	Ø38.5 x 44.0