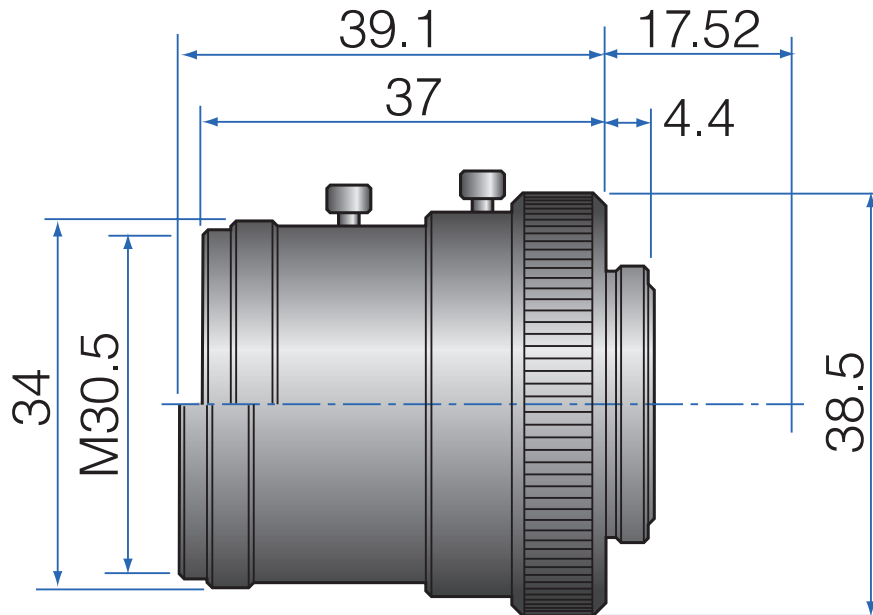


5 MP 2/3" Fixed-Focal

GMB5HR31614MCN

Part No.	GMB5HR31614MCN-1
Focal Length	16mm
Iris Range	f/1.4-16
Lens Format	2/3"
Resolution	160 lp/mm
MOD	200mm
Mount	C
Filter Thread	M30.5xP0.5
Angle of View (HxVxD) 2/3"	30.0° x 22.7° x 37.0°
Weight	85g
Dimension (DxL)	Ø38.5 x 39.1