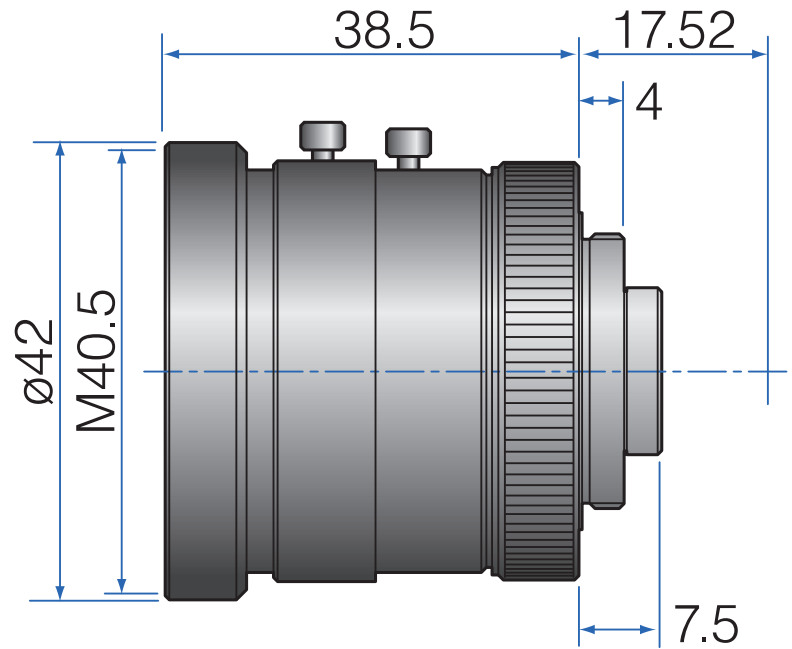


5 MP 2/3" Fixed-Focal

GMB5HR30528MCN

Part No.	GMB5HR30528MCN
Focal Length	5mm
Iris Range	f/2.8-16
Lens Format	2/3"
Resolution	160 lp/mm
MOD	100mm
Mount	C
Filter Thread	M40.5 x P0.5
Angle of View (HxV) 2/3"	82°4' x 66°9'
Weight	90g
Dimension (DxL)	Ø42 x 38.5