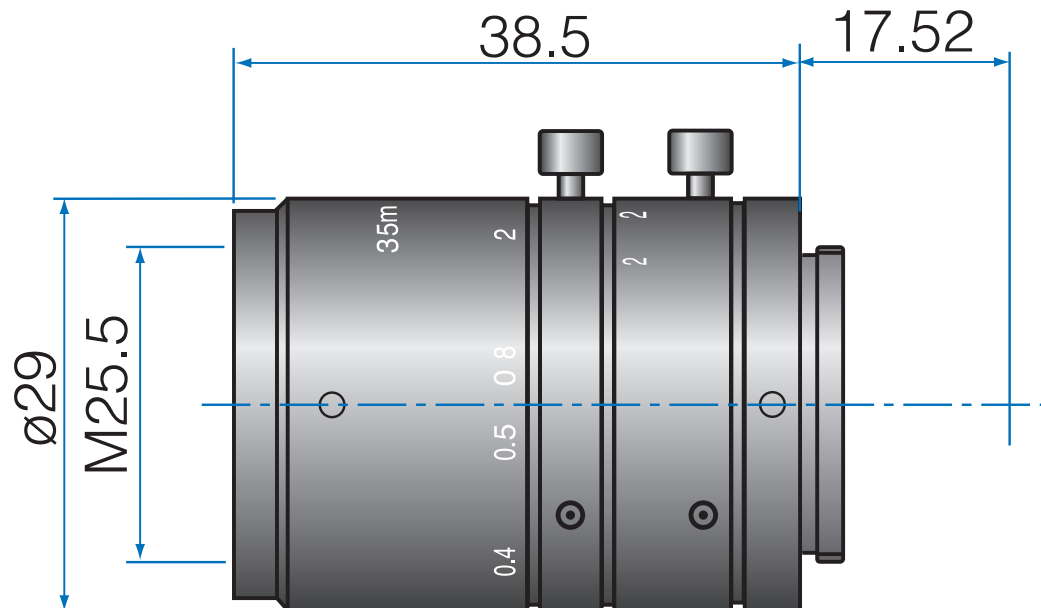


3 MP 2/3" Fixed-Focal

GMTHR33520MCN



Part No.	GMTHR33520MCN
Focal Length	35mm
Iris Range	f/2.0-22 (Click-Stop)
Lens Format	2/3"
Resolution	140 lp/mm
MOD	250mm
Mount	C
Filter Thread	M25.5xP0.5
Angle of View (HxVxD) 1/2"	10.5° x 7.9° x 13.1°
Angle of View (HxVxD) 2/3"	14.3° x 10.5° x 17.8°
Weight	60g
Dimension (DxL)	$\varnothing 29$ x 39