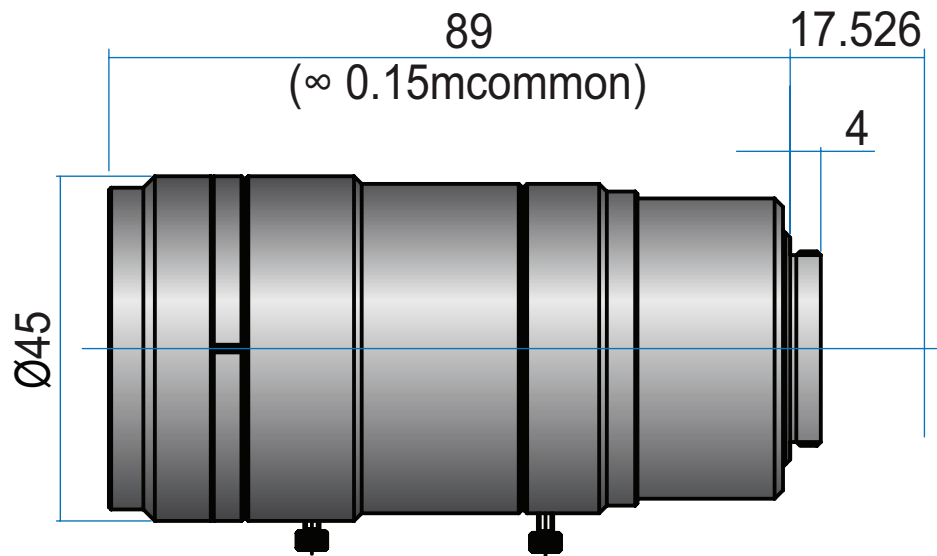


1.5 MP 4/3" Fixed-Focal

# GMHR62520MCN



Part No.	GMHR62520MCN
Focal Length	25mm
Iris Range	f/2-16
Lens Format	4/3"
Resolution	120 lp/mm
MOD	150mm
Mount	C
Filter Thread	M40.5 x P0.5
Angle of View (HxVxD) 4/3"	40.9° x 31.1° x 50.2°
Weight	250g
Dimension (DxL)	Ø45 x 89