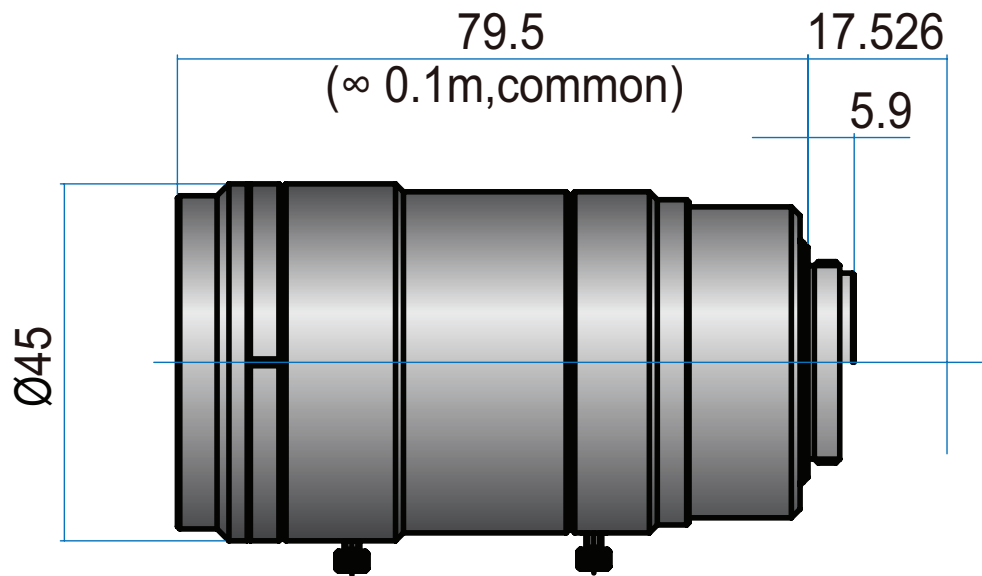


1.5 MP 4/3" Fixed-Focal

GMHR61620MCN



Part No.	GMHR61620MCN
Focal Length	16mm
Iris Range	f/2-22
Lens Format	4/3"
Resolution	120 lp/mm
MOD	100mm
Mount	C
Filter Thread	M40.5 x P0.5
Angle of View (HxVxD) 4/3"	60.6° x 47.2° x 72.0°
Weight	250g
Dimension (DxL)	Ø45 x 79.5