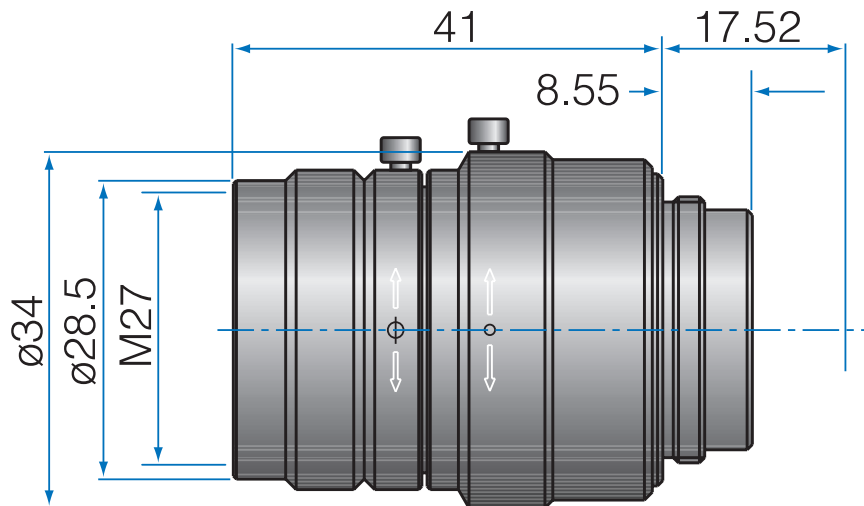


1.5 MP 2/3" Fixed-Focal

GMHR38014MCN



Part No.	GMHR38014MCN
Focal Length	8mm
Iris Range	f/1.4-Close
Lens Format	2/3"
Resolution	120 lp/mm
MOD	100mm
Mount	C
Filter Thread	M27xP0.5
Angle of View (HxVxD) 1/2"	42.6° x 32.5° x 52.1°
Angle of View (HxVxD) 2/3"	56.5° x 43.9° x 67.0°
Weight	83g
Dimension (DxL)	Ø34 x 41