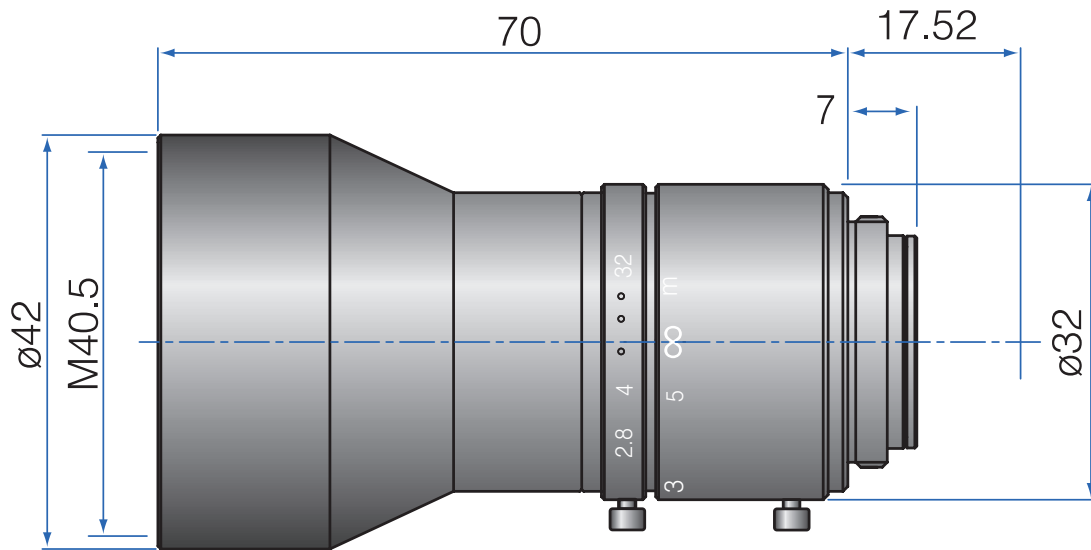


High Resolution 2/3" Fixed-Focal GMN310028MCN-1



Part No.	GMN310028MCN-1
Focal Length	100mm
Iris Range	f/2.8-16
Lens Format	2/3"
Resolution	100 lp/mm
MOD	2000mm
Mount	C
Filter Thread	M40.5xP0.5
Angle of View (HxVxD) 1/2"	3.7° x 2.8° x 4.6°
Angle of View (HxVxD) 2/3"	5.0° x 3.8° x 6.3°
Weight	140g
Dimension (DxL)	Ø42 x 70.0