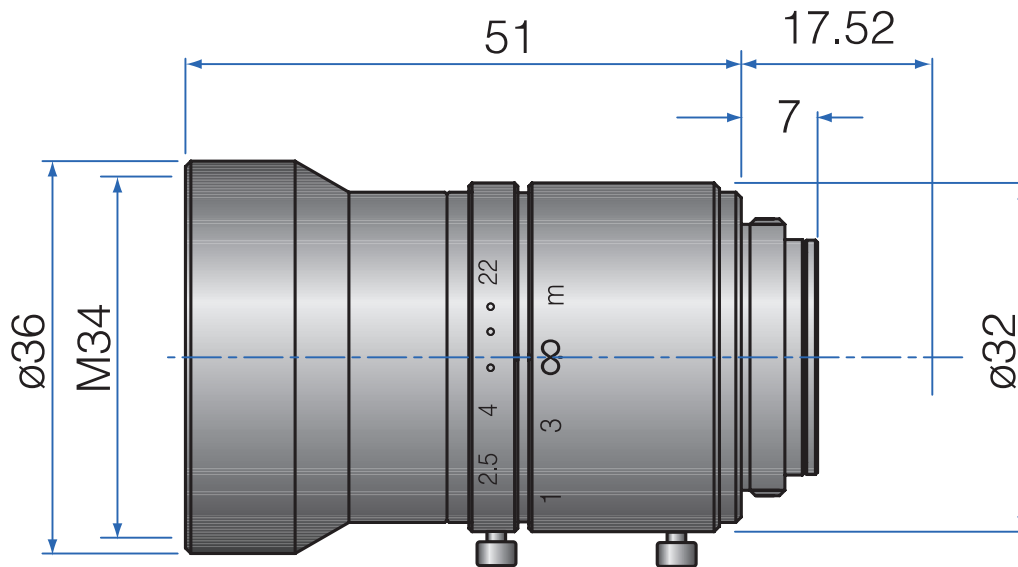


## High Resolution 2/3" Fixed-Focal GMN37525MCN-1



Part No.	GMN37525MCN-1
Focal Length	75mm
Iris Range	f/2.5-16
Lens Format	2/3"
Resolution	100 lp/mm
MOD	1200mm
Mount	C
Filter Thread	M34xP0.5
Angle of View (HxVxD) 1/2"	4.9° x 3.7° x 6.1°
Angle of View (HxVxD) 2/3"	6.7° x 5.0° x 8.3°
Weight	55g
Dimension (DxL)	$\varnothing 32$ x 42.5