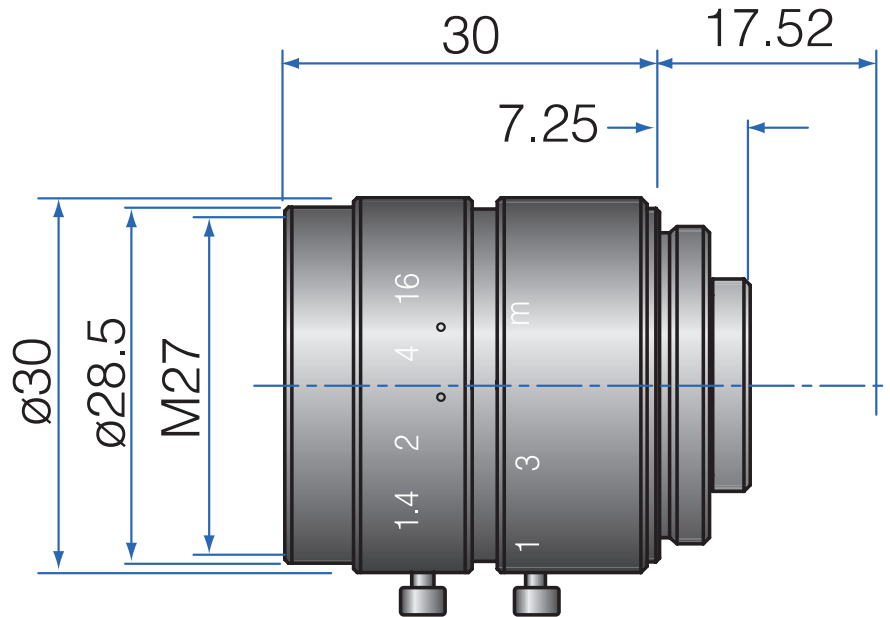


High Resolution 2/3" Fixed-Focal
GMN38014MCN-1



Part No.	GMN38014MCN-1
Focal Length	8mm
Iris Range	f/1.4-16
Lens Format	2/3"
Resolution	100 lp/mm
MOD	100mm
Mount	C
Filter Thread	M27 x P0.5
Angle of View (HxVxD) 1/2"	46.2° x 34.6° x 58.1°
Angle of View (HxVxD) 2/3"	64.2° x 47.7° x 81.3°
Weight	55g
Dimension (DxL)	Ø30 x 30.0