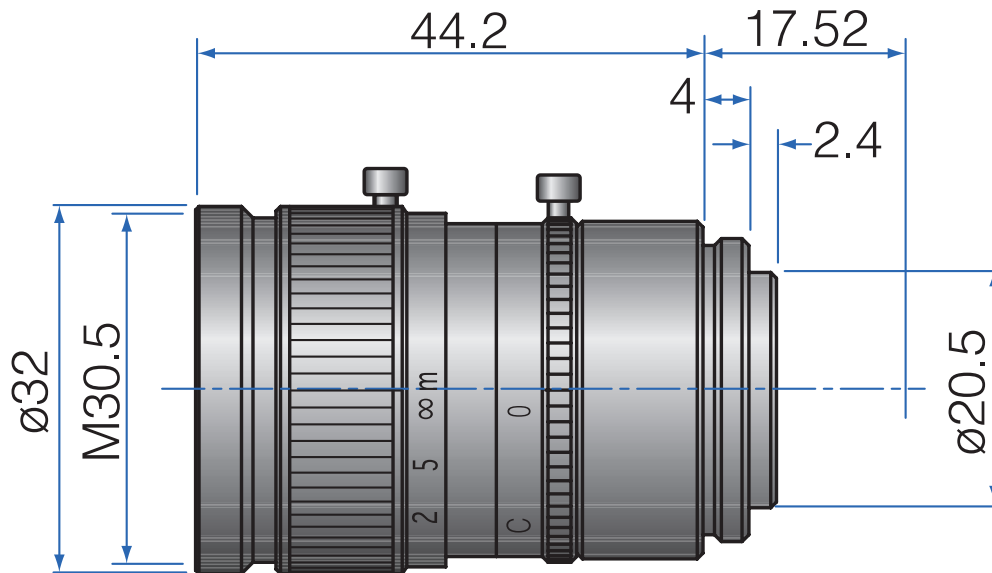


## High Resolution 2/3" Fixed-Focal GM310035MCN



Part No.	GM310035MCN
Focal Length	100mm
Iris Range	f/3.5-Close
Lens Format	2/3"
Resolution	100 lp/mm
MOD	1000mm
Mount	C
Filter Thread	M30.5xP0.5
Angle of View (HxVxD) 1/2"	3.47° x 2.51° x 4.42°
Angle of View (HxVxD) 2/3"	5.9° x 3.54° x 6.21°
Weight	59g
Dimension (DxL)	Ø32 x 44.2